



reddot winner 2023

FRAMELESS DIFFUSERS
TECHNICAL CATALOGUE

ABOUT US

The original idea makes design distinctive, the function makes it work and quality adds value

Serge Zuev



reddot winner 2023

We are a proud winner of a Red Dot Design Award

The internationally-recognised Red Dot Design Awards have been held annually for over 60 years, and recognise the best global contributions to design, assessing function, aesthetics, usage and responsibility.

It is one of the world's largest design competitions. The Red Dot Label has become established internationally as one of the most sought-after marks of quality for good design.

More information on <https://www.red-dot.org>

PRODUCING UNIQUE GYPSUM VENT DIFFUSERS

At Ventmann, we engineer and manufacture innovative, modern vent diffusers. And they all incorporate our first-of-its-kind patented gypsum composite, together with refined designs to complement a range of interiors. In our company, we like to say "air has never been so elegant." We hope that for your project, Ventmann vent diffusers will be your choice for air elegance.

OUR PURPOSE

Each of our products is so much more than just another vent diffuser. They are minimalist interior elements that can be integrated discreetly into any interior, or used to accentuate the precise lines and rigid angles of your design.

We work hard to create, produce and supply next generation solutions to our partners and clients. We have three values that all our products meet:

- They are innovative - our diffusers are the first on the market to be made from our special gypsum composite, so they can be frameless and fit any contemporary design. Our philosophy is that modern interiors need modern vents.
- They are sustainable - gypsum is one of the most sustainable and clean materials in use. Furthermore, we follow an environmentally-friendly production process and use ecological packaging.
- They are elegant - we want our diffusers to maintain the integrity of the interior design, completely blending in with wall and ceiling surfaces.

OUR VISION

We grow together with our partners. That is why we always ensure the highest quality standards for our products. We want our distribution partners to have full confidence when assuring their customers that Ventmann diffusers are the best choice. This commitment to partnership and quality is helping us to achieve our ambition of supplying Ventmann diffusers worldwide.

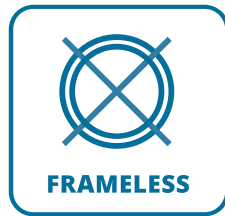
OUR PLANS FOR GROWTH AND DEVELOPMENT

In addition to continuously developing our distribution network, we are also expanding our production capacity as demand grows. We aim to add more patented diffusers as our manufacturing capabilities expand, which will help us to further grow our partner network and ensure the Ventmann brand is a great choice for partners who want to be the first in bringing innovations to the vent diffuser market.



LINE





FRAMELESS



PLASTERED - IN



PAINTABLE



The Ventmann LINE vent diffuser is an elegant and flexible interior design solution. With this model, you can create strikingly unique interior elements. Or you can make the diffusers virtually invisible. It is your choice.

The Ventmann LINE vent diffuser is available with varying numbers of slots, and in varying sizes. The SLIM version is ideal if you aim to have the diffusers virtually invisible. By contrast, you can also make the diffusers a design feature. For example, our LINE diffusers can be used as imitations to create a continuous line without any breaks.

This is a model that is engineered for practicality. These diffusers, like all of our models, can be painted using the same paint as the other surfaces in the room. This means there are no frames and the diffusers are seamlessly and elegantly integrated. The connections used are simple and unobtrusive, and our LINE model does not require lowering of the ceiling height.

The Ventmann LINE vent diffuser is also versatile. It can be adapted in a range of different ways to suit your project's needs. Our standard LINE vent diffuser is available:

- In 1-slot, 2-slot or 3-slot versions
- In standard lengths of 625mm, 1000mm and 1250mm
- With slot widths of either 12mm or 18mm.

If your project requires non-standard solutions or specific dimensions, we are happy to help.

To see just how easy it is to install the Ventmann LINE vent diffuser, have a look at our product showcase video.

And our catalogue contains all of the technical information about this model, so you can explore all of its possibilities and see how it would fit with your project.



LINE / PLINE



CIRCLE / PCIRCLE



SQUARE



ART



Installation:
video instructions



Download a digital
version of the catalog



LINE SERIES TECHNICAL PARAMETERS

SUPPLY

| m ³ /h | dim (mm) | 625 1 18 | 625 1 18D | 625 2 18 | 625 2 18D | 625 3 18 | 625 3 18D | 1000 1 18 | 1000 1 18 | 1000 2 18 | 1000 2 18 | 1000 3 18 | 1000 3 18 | 1250 1 18 |
|-------------------|----------------------|----------------|-----------------|----------------|-----------------|----------------|-----------------|-----------------|-----------------|-----------------|-----------------|-----------------|-----------------|-----------------|
| | Ak (m ²) | 0,0067 | 0,00579 | 0,0134 | 0,01158 | 0,02 | 0,0173 | 0,0107 | 0,00926 | 0,0214 | 0,0185 | 0,0321 | 0,0278 | 0,0135 |
| 60 | X (m) | 1,8 | 2 | | 1,3 | | | | 1,2 | | | | | |
| | Pt (Pa) | 4 | 10 | | 3 | | | | 3 | | | | | |
| | SPLA (dB (A)) | <20 | <20 | | <20 | | | | <20 | | | | | |
| 80 | X (m) | 2,4 | 2,7 | 1,6 | 1,8 | | 0,8 | | 1,6 | | | | | |
| | Pt (Pa) | 6 | 15 | 2 | 5 | | 3 | | 8 | | | | | |
| | SPLA (dB (A)) | <20 | <20 | <20 | <20 | | <20 | | <20 | | | | | |
| 100 | X (m) | 2,9 | 3,3 | 2 | 2,2 | | 1 | 1,8 | 2 | | 1,2 | | | |
| | Pt (Pa) | 9 | 23 | 3 | 9 | | 4 | 4 | 13 | | 2 | | | |
| | SPLA (dB (A)) | <20 | <20 | <20 | <20 | | <20 | <20 | <20 | | <20 | | | |
| 160 | X (m) | 4,7 | 5,3 | 3,1 | 3,6 | 1,4 | 1,6 | 2,8 | 3,1 | | 1,9 | | 1,3 | 2,6 |
| | Pt (Pa) | 21 | 59 | 5 | 21 | 3 | 10 | 6 | 30 | | 9 | | 2 | 2 |
| | SPLA (dB (A)) | <20 | 21 | <20 | <20 | <20 | <20 | <20 | <20 | | <20 | | <20 | <20 |
| 200 | X (m) | 5,9 | 6,7 | 3,9 | 4,4 | 1,8 | 2 | 3,5 | 3,9 | 2 | 2,4 | | 1,6 | 3,3 |
| | Pt (Pa) | 36 | 93 | 9 | 31 | 4 | 15 | 9 | 47 | 3 | 15 | | 5 | 5 |
| | SPLA (dB (A)) | 23 | 26 | <20 | <20 | <20 | <20 | <20 | <20 | <20 | <20 | | <20 | <20 |
| 300 | X (m) | 8,8 | | 5,9 | 6,7 | 2,6 | 3 | 5,3 | 5,9 | 3 | 3,6 | 2,2 | 2,4 | 4,9 |
| | Pt (Pa) | 82 | | 24 | 72 | 10 | 35 | 19 | 105 | 6 | 32 | 3 | 16 | 12 |
| | SPLA (dB (A)) | 32 | | <20 | 22 | <20 | <20 | 24 | 26 | <20 | <20 | <20 | <20 | <20 |
| 400 | X (m) | | | 7,8 | | 3,5 | 4 | 7 | | 4 | 4,8 | 2,9 | 3,2 | 6,6 |
| | Pt (Pa) | | | 44 | | 17 | 60 | 37 | | 10 | 55 | 6 | 27 | 22 |
| | SPLA (dB (A)) | | | 26 | | <20 | 22 | 30 | | <20 | 21 | <20 | <20 | 26 |
| 500 | X (m) | | | 9,8 | | 4,4 | 5 | 8,8 | | 5 | 6 | 3,6 | 4 | 8,2 |
| | Pt (Pa) | | | 70 | | 27 | 90 | 61 | | 17 | 85 | 9 | 41 | 33 |
| | SPLA (dB (A)) | | | 31 | | 24 | 27 | 35 | | 23 | 25 | <20 | <20 | 31 |
| 600 | X (m) | | | | | 5,3 | | 10,5 | | 5,9 | | 4,4 | 4,8 | 9,8 |
| | Pt (Pa) | | | | | 37 | | 92 | | 26 | | 13 | 60 | 48 |
| | SPLA (dB (A)) | | | | | 28 | | 39 | | 27 | | <20 | 22 | 35 |
| 700 | X (m) | | | | | 6,1 | | | | 6,9 | | 5,1 | 5,6 | 11,5 |
| | Pt (Pa) | | | | | 50 | | | | 37 | | 19 | 82 | 67 |
| | SPLA (dB (A)) | | | | | 31 | | | | 30 | | 23 | 26 | 38 |
| 800 | X (m) | | | | | | | | | 7,9 | | 5,8 | | 13,1 |
| | Pt (Pa) | | | | | | | | | 49 | | 26 | | 95 |
| | SPLA (dB (A)) | | | | | | | | | 33 | | 26 | | 41 |
| 900 | X (m) | | | | | | | | | 8,9 | | | | |
| | Pt (Pa) | | | | | | | | | 63 | | | | |
| | SPLA (dB (A)) | | | | | | | | | 36 | | | | |
| 1000 | X (m) | | | | | | | | | 9,9 | | | | |
| | Pt (Pa) | | | | | | | | | 80 | | | | |
| | SPLA (dB (A)) | | | | | | | | | 38 | | | | |

D - deflector for 18mm only

Ak (m²) - effective area

X (m) - Throw distance (0,25 m/s)

Pt (Pa) - Pressure drop in the diffuser

SPLA (dB(A)) - Sound pressure level at 1m distance from the diffuser

| | Green | Yellow | Red |
|-------|---------------------------------------|---|--|
| X (m) | When short throw distance is needed | When average throw distance is needed | When bigger throw distance is needed |
| Pa | Where low pressure drop is required | Where medium pressure drop is suitable | Where big pressure drop is suitable |
| SPLA | Rooms with no ambient noise (Bedroom) | Rooms with medium ambient noise (Lobby) | Rooms with ambient noise (Office room) |

* IMPORTANT: This information is for guidance only, please consult your HVAC professional for you specific requirements.

| m ³ /h | dim (mm) | 1250 1 18D | 1250 2 18 | 1250 2 18D | 1250 3 18 | 1250 3 18D | 625 1 12 | 625 2 12 | 625 3 12 | 1000 1 12 | 1000 2 12 | 1000 3 12 | 1250 1 12 | 1250 2 12 | 1250 3 12 |
|-------------------|----------------------|------------------|-----------------|------------------|-----------------|------------------|----------------|----------------|----------------|-----------------|-----------------|-----------------|-----------------|-----------------|-----------------|
| | Ak (m ²) | 0,01162 | 0,027 | 0,0232 | 0,0405 | 0,03486 | 0,00444 | 0,00888 | 0,0133 | 0,0071 | 0,0142 | 0,0213 | 0,0144 | 0,0288 | 0,0432 |
| 60 | X (m) | 1,1 | | | | | 1,8 | | | | | | | | |
| | Pt (Pa) | 2 | | | | | 4 | | | | | | | | |
| | SPLA (dB (A)) | <20 | | | | | <20 | | | | | | | | |
| 80 | X (m) | 1,5 | | | | | 2,4 | 1,2 | | 1,4 | | | | | |
| | Pt (Pa) | 5 | | | | | 7 | 3 | | 2 | | | | | |
| | SPLA (dB (A)) | <20 | | | | | <20 | <20 | | <20 | | | | | |
| 100 | X (m) | 1,9 | | | | | 3 | 1,4 | | 1,7 | | | | | |
| | Pt (Pa) | 9 | | | | | 11 | 4 | | 4 | | | | | |
| | SPLA (dB (A)) | <20 | | | | | <20 | <20 | | <20 | | | | | |
| 160 | X (m) | 3 | | 1,5 | | | 4,8 | 2,3 | 2,1 | 2,8 | 1,6 | | 2,4 | | |
| | Pt (Pa) | 20 | | 6 | | | 29 | 11 | 5 | 10 | 2 | | 5 | | |
| | SPLA (dB (A)) | <20 | | <20 | | | 25 | <20 | <20 | <20 | <20 | | <20 | | |
| 200 | X (m) | 3,8 | 1,7 | 1,9 | | | 6,1 | 2,9 | 2,6 | 3,4 | 2 | | 3 | 1,9 | |
| | Pt (Pa) | 30 | 2 | 9 | | | 45 | 18 | 7 | 15 | 4 | | 9 | 3 | |
| | SPLA (dB (A)) | <20 | <20 | <20 | | | 30 | <20 | <20 | 22 | <20 | | <20 | <20 | |
| 300 | X (m) | 5,7 | 2,5 | 2,9 | | 2,2 | 9,1 | 4,3 | 3,9 | 5,2 | 3 | 1,9 | 4,5 | 2,8 | 2,4 |
| | Pt (Pa) | 65 | 4 | 20 | | 9 | 95 | 38 | 17 | 34 | 11 | 5 | 20 | 6 | 4 |
| | SPLA (dB (A)) | 22 | <20 | <20 | | <20 | 39 | 27 | 20 | 31 | <20 | <20 | <20 | <20 | <20 |
| 400 | X (m) | | 3,3 | 3,8 | 2,4 | 2,9 | | 5,8 | 5,3 | 6,9 | 4 | 2,5 | 6,1 | 3,7 | 3,2 |
| | Pt (Pa) | | 7 | 35 | 3 | 16 | | 72 | 29 | 62 | 20 | 10 | 35 | 11 | 6 |
| | SPLA (dB (A)) | | <20 | <20 | <20 | <20 | | 33 | 26 | 37 | 25 | <20 | 25 | <20 | <20 |
| 500 | X (m) | | 4,2 | 4,8 | 2,9 | 3,7 | | | 6,6 | 8,6 | 5 | 3,1 | 7,6 | 4,6 | 4 |
| | Pt (Pa) | | 12 | 54 | 5 | 26 | | | 45 | 95 | 30 | 17 | 52 | 18 | 10 |
| | SPLA (dB (A)) | | <20 | 22 | <20 | <20 | | | 31 | 42 | 30 | 23 | 30 | <20 | <20 |
| 600 | X (m) | | 5 | 5,7 | 3,5 | 4,4 | | | 7,9 | | 6 | 3,8 | 9,1 | 5,6 | 4,8 |
| | Pt (Pa) | | 17 | 75 | 7 | 36 | | | 64 | | 45 | 25 | 76 | 27 | 15 |
| | SPLA (dB (A)) | | 23 | 25 | <20 | <20 | | | 35 | | 34 | 27 | 34 | 22 | <20 |
| 700 | X (m) | | 5,8 | | 4,1 | 5,1 | | | 9,2 | | 7 | 4,4 | | 6,5 | 5,6 |
| | Pt (Pa) | | 24 | | 10 | 50 | | | 95 | | 65 | 35 | | 37 | 22 |
| | SPLA (dB (A)) | | 26 | | <20 | 22 | | | 38 | | 37 | 30 | | 25 | <20 |
| 800 | X (m) | | | | 4,7 | 5,9 | | | | | 8 | 5 | | 7,4 | 6,3 |
| | Pt (Pa) | | | | 13 | 67 | | | | | 88 | 46 | | 49 | 30 |
| | SPLA (dB (A)) | | | | 22 | 25 | | | | | 40 | 33 | | 28 | 21 |
| 900 | X (m) | | | | 5,3 | 6,6 | | | | | | 5,7 | | 8,3 | 7,1 |
| | Pt (Pa) | | | | 16 | 85 | | | | | | 60 | | 63 | 40 |
| | SPLA (dB (A)) | | | | 25 | 27 | | | | | | 36 | | 31 | 23 |
| 1000 | X (m) | | | | 5,9 | 7,4 | | | | | | 6,3 | | | 7,9 |
| | Pt (Pa) | | | | 20 | 115 | | | | | | 75 | | | 52 |
| | SPLA (dB (A)) | | | | 27 | 29 | | | | | | 38 | | | 26 |

LINE SERIES TECHNICAL PARAMETERS

EXHAUST

| m ³ /h | dim (mm) | 625 1 18 | 625 2 18 | 625 3 18 | 1000 1 18 | 1000 2 18 | 1000 3 18 | 1250 1 18 | 1250 2 18 | 1250 3 18 |
|-------------------|----------------------|----------------|----------------|----------------|-----------------|-----------------|-----------------|-----------------|-----------------|-----------------|
| | Ak (m ²) | 0,0067 | 0,0134 | 0,02 | 0,0107 | 0,0214 | 0,0321 | 0,0135 | 0,027 | 0,0405 |
| 60 | Pt (Pa) | 2 | 1 | | | | | | | |
| | SPLA (dB (A)) | <20 | <20 | | | | | | | |
| 80 | Pt (Pa) | 4 | 2 | | | | | | | |
| | SPLA (dB (A)) | <20 | <20 | | | | | | | |
| 100 | Pt (Pa) | 6 | 2 | 2 | 2 | | | | | |
| | SPLA (dB (A)) | <20 | <20 | <20 | <20 | | | | | |
| 160 | Pt (Pa) | 16 | 4 | 4 | 5 | | | 2 | | |
| | SPLA (dB (A)) | <20 | <20 | <20 | <20 | | | <20 | | |
| 200 | Pt (Pa) | 25 | 6 | 7 | 8 | | | 4 | | |
| | SPLA (dB (A)) | 23 | <20 | <20 | <20 | | | <20 | | |
| 300 | Pt (Pa) | 60 | 14 | 12 | 18 | 3 | | 11 | 3 | |
| | SPLA (dB (A)) | 32 | <20 | <20 | 24 | <20 | | <20 | <20 | |
| 400 | Pt (Pa) | 105 | 24 | 17 | 33 | 6 | 4 | 20 | 5 | 2 |
| | SPLA (dB (A)) | 38 | 26 | <20 | 30 | <20 | <20 | 26 | <20 | <20 |
| 500 | Pt (Pa) | | 37 | 24 | 51 | 10 | 5 | 30 | 8 | 3 |
| | SPLA (dB (A)) | | 31 | 24 | 35 | 23 | <20 | 31 | <20 | <20 |
| 600 | Pt (Pa) | | 56 | 33 | 80 | 15 | 7 | 42 | 12 | 4 |
| | SPLA (dB (A)) | | 35 | 28 | 39 | 27 | <20 | 35 | 23 | <20 |
| 700 | Pt (Pa) | | | | | 21 | 9 | 58 | 16 | 6 |
| | SPLA (dB (A)) | | | | | 30 | 23 | 38 | 26 | <20 |
| 800 | Pt (Pa) | | | | | 28 | 12 | 80 | 22 | 8 |
| | SPLA (dB (A)) | | | | | 33 | 26 | 41 | 29 | 22 |
| 900 | Pt (Pa) | | | | | | 15 | | | 11 |
| | SPLA (dB (A)) | | | | | | 29 | | | 25 |
| 1000 | Pt (Pa) | | | | | | | | | 14 |
| | SPLA (dB (A)) | | | | | | | | | 27 |

D - deflector for 18mm only

Ak (m²) - effective area

Pt (Pa) - Pressure drop in the diffuser

SPLA (dba) - Sound pressure level at 1m distance from the diffuser

| | Green | Yellow | Red |
|-------|---------------------------------------|---|--|
| X (m) | When short throw distance is needed | When average throw distance is needed | When bigger throw distance is needed |
| Pa | Where low pressure drop is required | Where medium pressure drop is suitable | Where big pressure drop is suitable |
| SPLA | Rooms with no ambient noise (Bedroom) | Rooms with medium ambient noise (Lobby) | Rooms with ambient noise (Office room) |

* IMPORTANT: This information is for guidance only, please consult your HVAC professional for you specific requirements.

| m ³ /h | dim (mm) | 625 1 12 | 625 2 12 | 625 3 12 | 1000 1 12 | 1000 2 12 | 1000 3 12 | 1250 1 12 | 1250 2 12 | 1250 3 12 |
|-------------------|----------------------|----------------|----------------|----------------|-----------------|-----------------|-----------------|-----------------|-----------------|-----------------|
| | Ak (m ²) | 0,00444 | 0,00888 | 0,0133 | 0,0071 | 0,0142 | 0,0213 | 0,0144 | 0,0288 | 0,0432 |
| 60 | Pt (Pa) | 4 | | | | | | | | |
| | SPLA (dB (A)) | <20 | | | | | | | | |
| 80 | Pt (Pa) | 6 | | | | | | | | |
| | SPLA (dB (A)) | <20 | | | | | | | | |
| 100 | Pt (Pa) | 10 | 3 | | 3 | | | | | |
| | SPLA (dB (A)) | <20 | <20 | | <20 | | | | | |
| 160 | Pt (Pa) | 25 | 7 | 4 | 8 | | | 3 | | |
| | SPLA (dB (A)) | 25 | <20 | <20 | <20 | | | <20 | | |
| 200 | Pt (Pa) | 39 | 12 | 5 | 13 | 4 | | 6 | 2 | |
| | SPLA (dB (A)) | 30 | <20 | <20 | 22 | <20 | | <20 | <20 | |
| 300 | Pt (Pa) | 84 | 28 | 10 | 30 | 9 | 4 | 16 | 4 | 2 |
| | SPLA (dB (A)) | 39 | 27 | 20 | 31 | <20 | <20 | <20 | <20 | <20 |
| 400 | Pt (Pa) | | 49 | 19 | 56 | 16 | 8 | 29 | 7 | 4 |
| | SPLA (dB (A)) | | 33 | 26 | 37 | 25 | <20 | 25 | <20 | <20 |
| 500 | Pt (Pa) | | 77 | 30 | 88 | 26 | 12 | 45 | 11 | 6 |
| | SPLA (dB (A)) | | 38 | 31 | 42 | 30 | 23 | 30 | <20 | <20 |
| 600 | Pt (Pa) | | | 45 | | 37 | 18 | 65 | 17 | 9 |
| | SPLA (dB (A)) | | | 35 | | 34 | 27 | 34 | 22 | <20 |
| 700 | Pt (Pa) | | | | | 52 | 25 | 93 | 25 | 13 |
| | SPLA (dB (A)) | | | | | 37 | 30 | 37 | 25 | <20 |
| 800 | Pt (Pa) | | | | | 72 | 33 | | 34 | 18 |
| | SPLA (dB (A)) | | | | | 40 | 33 | | 28 | 21 |
| 900 | Pt (Pa) | | | | | | 42 | | 45 | 24 |
| | SPLA (dB (A)) | | | | | | 36 | | 31 | 23 |
| 1000 | Pt (Pa) | | | | | | 53 | | | 31 |
| | SPLA (dB (A)) | | | | | | 38 | | | 26 |

LINE 1/12



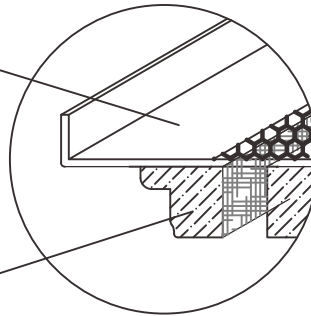
1 AMOUNT OF SLOTS 12 mm WIDTH OF SLOT

2.5 kg
1 M. LENGTH DIFFUSER WEIGHT
WITHOUT PACKAGING (NET)

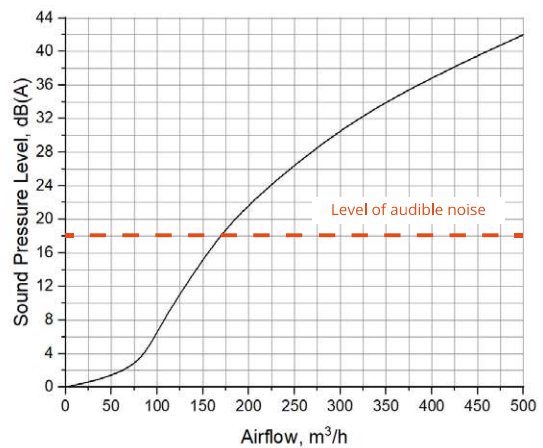
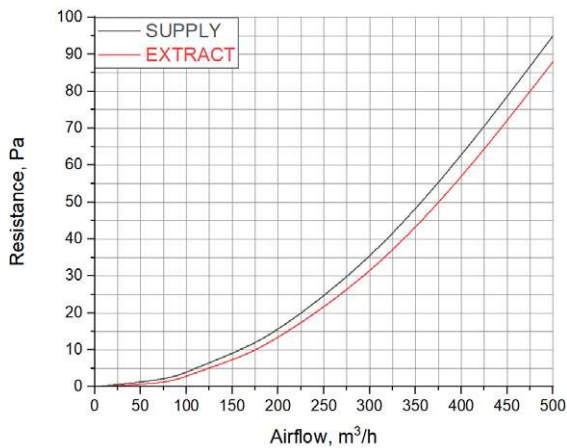
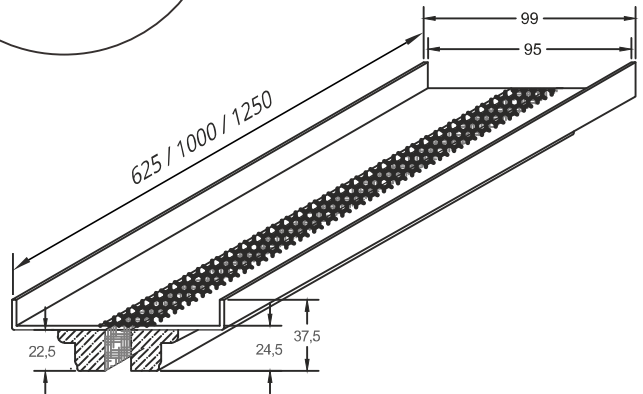
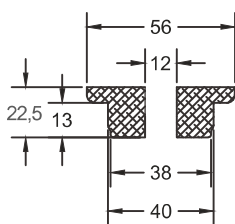
625 / 1000 / 1250
STANDARD SLOT LENGTH (MM)

A PLENUM BOX
CONNECTION TYPE

Steel punched sheet. Distributes the air supply through the diffuser.



Gypsum mix segment. Sanded, puttied, painted. Suitable for all operations in combination with surface finishing



Note: Data charts reflect measurements for the 1 m length model.

LINE 1/18



1 AMOUNT OF SLOTS 18 mm WIDTH OF SLOT

2.5 kg
1 M. LENGTH DIFFUSER WEIGHT
WITHOUT PACKAGING (NET)

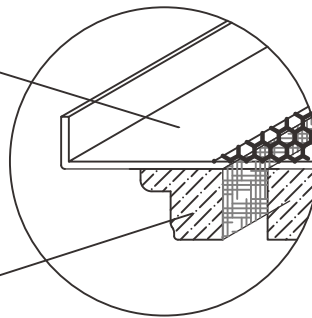
625 / 1000 / 1250
STANDARD SLOT LENGTH (MM)

OPTIONAL:
Deflector

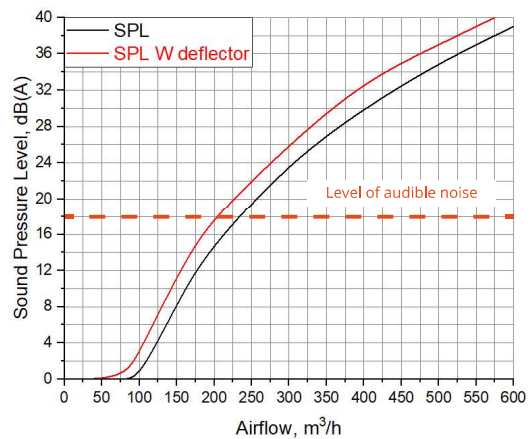
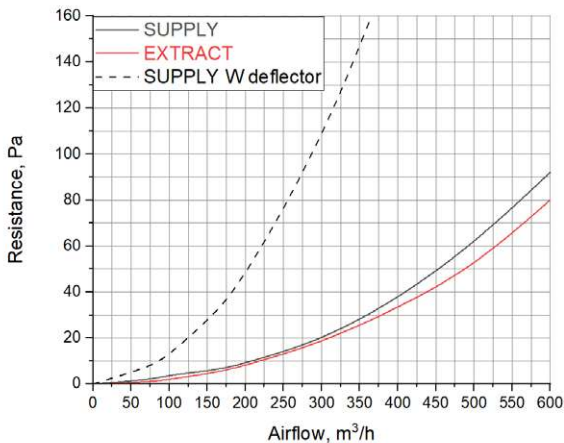
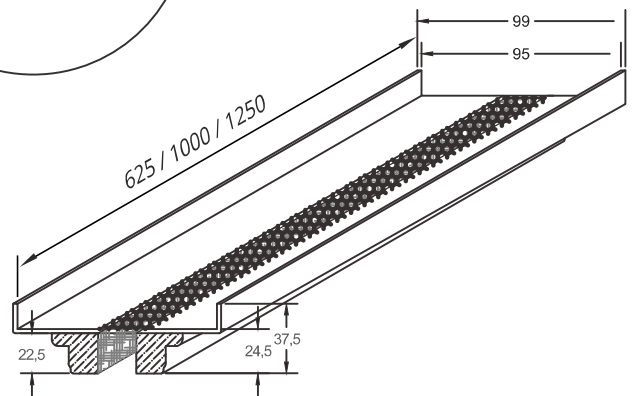
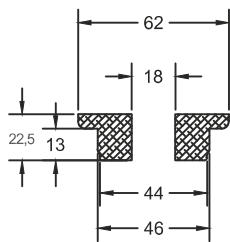
SPECIAL CONSTRUCTION, CAN BE
ADDED ANYTIME LATER

A PLENUM BOX
CONNECTION TYPE

Steel punched sheet. Distributes the air supply through the diffuser.



Gypsum mix segment. Sanded, puttied, painted. Suitable for all operations in combination with surface finishing



Note: Data charts reflect measurements for the 1 m length model.

LINE 2/12



2 AMOUNT OF SLOTS 12 mm WIDTH OF SLOT

2.735 kg

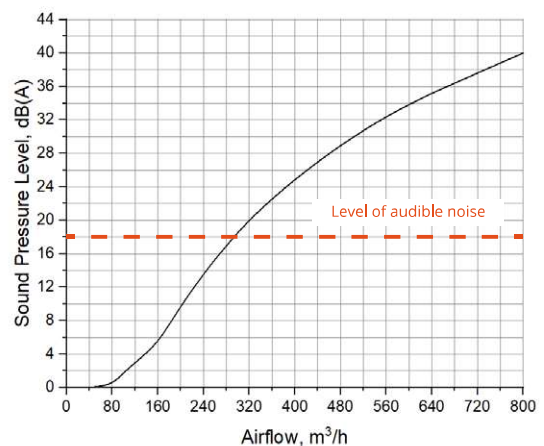
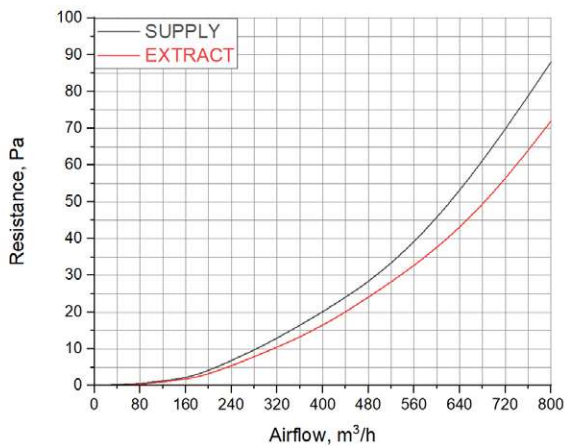
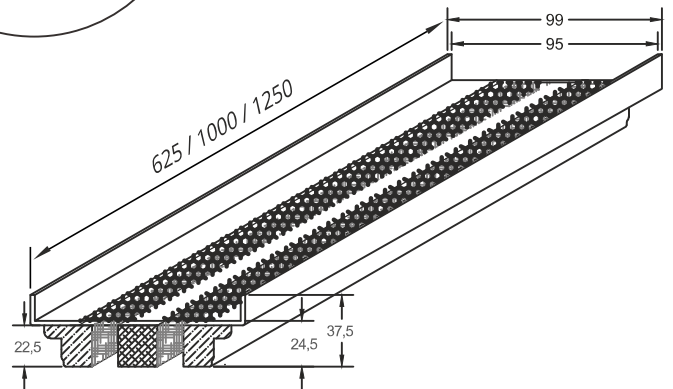
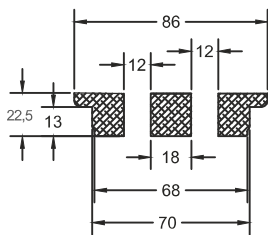
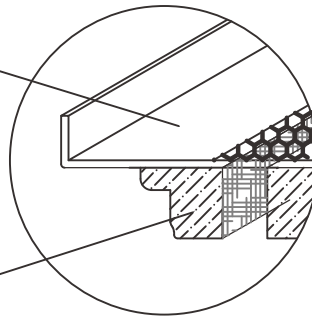
1 M. LENGTH DIFFUSER WEIGHT WITHOUT PACKAGING (NET)

625 / 1000 / 1250 STANDARD SLOT LENGTH (MM)

A PLENUM BOX CONNECTION TYPE

Steel punched sheet. Distributes the air supply through the diffuser.

Gypsum mix segment. Sanded, puttied, painted. Suitable for all operations in combination with surface finishing



Note: Data charts reflect measurements for the 1 m length model.

LINE 3/12



3 AMOUNT OF SLOTS **12 mm** WIDTH OF SLOT

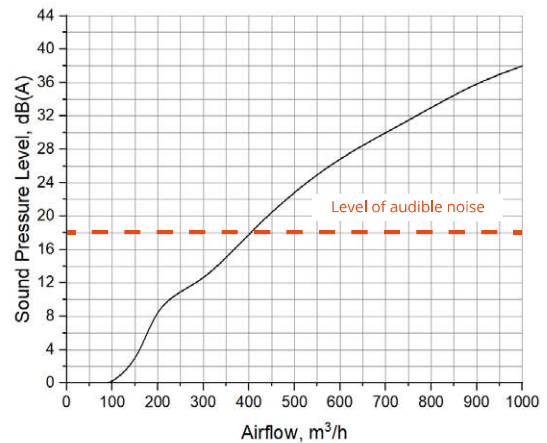
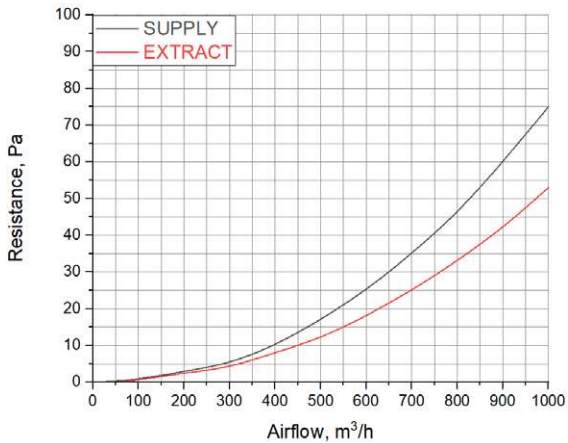
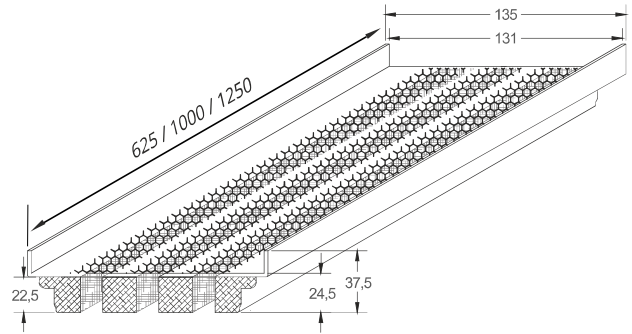
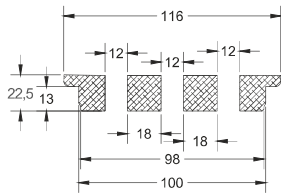
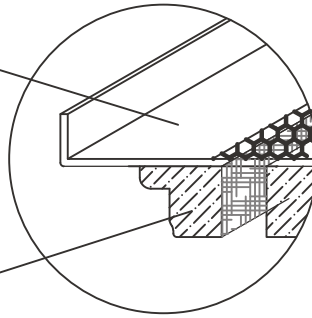
4.085 kg
1 M. LENGTH DIFFUSER WEIGHT
WITHOUT PACKAGING (NET)

625 / 1000 / 1250
STANDARD SLOT LENGTH (MM)

B PLENUM BOX CONNECTION TYPE

Steel punched sheet. Distributes the air supply through the diffuser.

Gypsum mix segment. Sanded, puttied, painted. Suitable for all operations in combination with surface finishing



Note: Data charts reflect measurements for the 1 m length model.

LINE 3/18



3 AMOUNT OF SLOTS **18 mm** WIDTH OF SLOT

4.085 kg
1 M. LENGTH DIFFUSER WEIGHT WITHOUT PACKAGING (NET)

625 / 1000 / 1250
STANDARD SLOT LENGTH (MM)

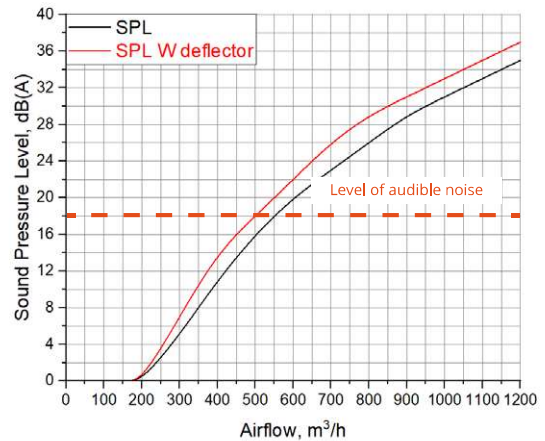
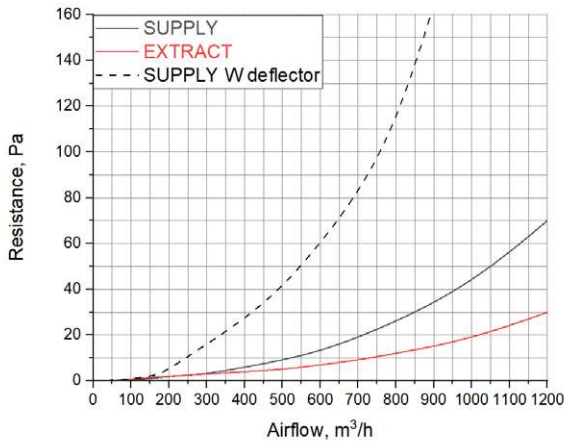
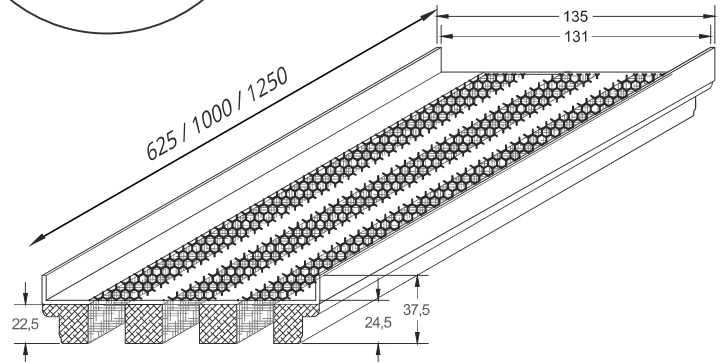
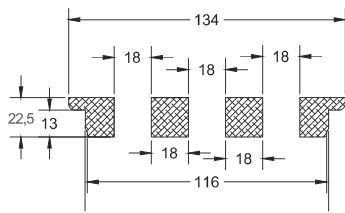
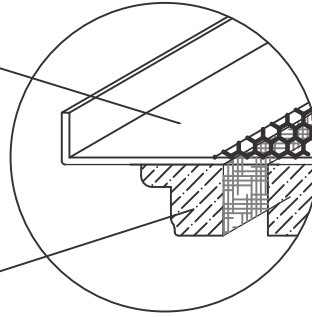
OPTIONAL:
Deflector

SPECIAL CONSTRUCTION, CAN BE ADDED ANYTIME LATER

B PLENUM BOX CONNECTION TYPE

Steel punched sheet. Distributes the air supply through the diffuser.

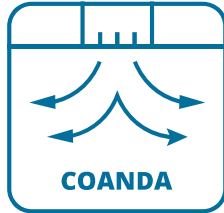
Gypsum mix segment. Sanded, puttied, painted. Suitable for all operations in combination with surface finishing



Note: Data charts reflect measurements for the 1 m length model.

PLINE





The Ventmann PERFORMANCE LINE vent diffuser combines elegant and adaptable design features with a specially engineered airflow that uses the Coanda effect, making it ideal for air conditioning. This is a model that empowers you to craft distinctive interior features or seamlessly conceal the diffusers, while minimizing direct airflow onto users.

The PERFORMANCE LINE model features all the hallmarks of a Ventmann diffuser - sustainable materials, frameless installation, the ability to paint it to match the other surfaces in the space, and design applications ranging from discrete to bold. What sets it apart from our standard LINE model is its unique shape and engineering, which harness the Coanda effect.

The Coanda effect is an aerodynamic phenomenon that causes a jet of air to be attracted to a nearby surface, efficiently diffusing the airflow. In practice, this means the current of air spreads out along the ceiling rather than being blown straight down.

This innovative vent diffuser also incorporates an interior deflector, adjustable using a simple screwdriver. This deflector enables precise control over the direction of the airflow, allowing you to direct the air at any desired angle from one side to the other. As a result, building users do not experience the discomfort of having a strong airflow directed right at them, which is especially important with air conditioning systems and when dealing with colder air. Ideal for air conditioning use, this model is also suitable for regular ventilation systems and heat recovery units.

As with all Ventmann diffusers, this is a highly flexible and adaptable unit. Our PERFORMANCE LINE vent diffuser is offered in:

- 1-slot, 2-slot, or 3-slot versions
- Standard lengths of 625mm, 1000mm, and 1250mm
- Slot width of 20mm

To see just how easy it is to install the Ventmann PERFORMANCE LINE vent diffuser, have a look at our product showcase video. And our catalogue contains all of the technical information about this model, so you can explore all of its possibilities and see how it would fit with your project.



LINE / PLINE



CIRCLE / PCIRCLE



SQUARE



ART



Installation:
video instructions
 YouTube



Download a digital
version of the catalog
 Download

PERFORMANCE LINE SERIES TECHNICAL PARAMETERS

SUPPLY

| m ³ /h | dim (mm) | 625 1 | 625 2 | 625 3 | 1000 1 | 1000 2 | 1000 3 | 1250 1 | 1250 2 | 1250 3 |
|-------------------|----------------------|----------|----------|----------|-----------|-----------|-----------|-----------|-----------|-----------|
| | Ak (m ²) | 0,00708 | 0,0142 | 0,0212 | 0,0116 | 0,0232 | 0,0348 | 0,0146 | 0,0292 | 0,0438 |
| 60 | X (m) | 2.4 | 1.9 | | | | | | | |
| | Pt (Pa) | 1 | 1 | | | | | | | |
| | SPLA (dB (A)) | <20 | <20 | | | | | | | |
| 80 | X (m) | 3.2 | 2.5 | | | | | | | |
| | Pt (Pa) | 4 | 2 | | | | | | | |
| | SPLA (dB (A)) | <20 | <20 | | | | | | | |
| 100 | X (m) | 4.0 | 3.1 | 2.9 | 3.0 | 2.3 | 1.5 | 2.9 | 2.2 | 1.2 |
| | Pt (Pa) | 8 | 4 | 2 | 2 | 2 | 1 | 2 | 2 | 1 |
| | SPLA (dB (A)) | <20 | <20 | <20 | <20 | <20 | <20 | <20 | <20 | <20 |
| 160 | X (m) | 6.4 | 5.0 | 4.7 | 4.9 | 3.7 | 2.5 | 4.5 | 3.5 | 2.0 |
| | Pt (Pa) | 21 | 11 | 5 | 11 | 4 | 2 | 8 | 4 | 2 |
| | SPLA (dB (A)) | <20 | <20 | <20 | <20 | <20 | <20 | <20 | <20 | <20 |
| 200 | X (m) | 8.0 | 6.3 | 5.9 | 6.1 | 4.7 | 3.1 | 5.8 | 4.3 | 2.5 |
| | Pt (Pa) | 37 | 16 | 8 | 17 | 7 | 3 | 11 | 6 | 3 |
| | SPLA (dB (A)) | 22 | <20 | <20 | <20 | <20 | <20 | <20 | <20 | <20 |
| 300 | X (m) | 12.0 | 9.4 | 8.8 | 9.1 | 7.0 | 4.6 | 8.7 | 6.5 | 3.7 |
| | Pt (Pa) | 80 | 34 | 16 | 39 | 16 | 7 | 26 | 11 | 6 |
| | SPLA (dB (A)) | 31 | <20 | <20 | 22 | <20 | <20 | <20 | <20 | <20 |
| 400 | X (m) | 16.0 | 12.5 | 11.8 | 12.2 | 9.3 | 6.2 | 11.6 | 8.6 | 4.9 |
| | Pt (Pa) | 145 | 65 | 27 | 72 | 27 | 13 | 46 | 20 | 10 |
| | SPLA (dB (A)) | 37 | 25 | <20 | 29 | <20 | <20 | 25 | <20 | <20 |
| 500 | X (m) | 20.0 | 15.6 | 14.7 | 15.2 | 11.6 | 7.7 | 14.5 | 10.8 | 6.2 |
| | Pt (Pa) | 242 | 110 | 42 | 112 | 43 | 21 | 73 | 32 | 16 |
| | SPLA (dB (A)) | 42 | 30 | 23 | 34 | 22 | <20 | 30 | <20 | <20 |
| 600 | X (m) | | 18.8 | 17.6 | | 14.0 | 9.2 | | 12.9 | 7.4 |
| | Pt (Pa) | | 160 | 61 | | 63 | 30 | | 46 | 22 |
| | SPLA (dB (A)) | | 34 | 27 | | 25 | <20 | | 21 | <20 |
| 700 | X (m) | | | 20.6 | | 16.3 | 10.8 | | 15.1 | 8.6 |
| | Pt (Pa) | | | 79 | | 93 | 40 | | 63 | 29 |
| | SPLA (dB (A)) | | | 30 | | 29 | 22 | | 25 | <20 |
| 800 | X (m) | | | | | | 12.3 | | | 9.9 |
| | Pt (Pa) | | | | | | 52 | | | 37 |
| | SPLA (dB (A)) | | | | | | 25 | | | 21 |
| 900 | X (m) | | | | | | 13.8 | | | 11.1 |
| | Pt (Pa) | | | | | | 63 | | | 45 |
| | SPLA (dB (A)) | | | | | | 27 | | | 23 |
| 1000 | X (m) | | | | | | 15.4 | | | 12.3 |
| | Pt (Pa) | | | | | | 77 | | | 55 |
| | SPLA (dB (A)) | | | | | | 30 | | | 26 |

X (m) - Throw distance (0,25 m/s)

Pt (Pa) - Pressure drop in the diffuser

SPLA (dba) - Sound pressure level at 1m distance
from the diffuser

Ak (m²) - effective area

| | Green | Yellow | Red |
|-------|---------------------------------------|---|--|
| X (m) | When short throw distance is needed | When average throw distance is needed | When bigger throw distance is needed |
| Pa | Where low pressure drop is required | Where medium pressure drop is suitable | Where big pressure drop is suitable |
| SPLA | Rooms with no ambient noise (Bedroom) | Rooms with medium ambient noise (Lobby) | Rooms with ambient noise (Office room) |

* IMPORTANT: This information is for guidance only, please consult your HVAC professional for you specific requirements.

EXHAUST

| m ³ /h | dim (mm) | 625 1 N | 625 1 P | 625 1 D | 625 2 N | 625 2 P | 625 2 D | 625 3 N | 625 3 P | 625 3 D | 1000 1 N | 1000 1 P | 1000 1 D | 1000 2 N | 1000 2 P |
|-------------------|----------------------|---------------|---------------|---------------|---------------|---------------|---------------|---------------|---------------|---------------|----------------|----------------|----------------|----------------|----------------|
| | Ak (m ²) | | 0,0118 | 0,00886 | 0,0071 | 0,0236 | 0,0177 | 0,0142 | 0,0354 | 0,0266 | 0,0212 | 0,0193 | 0,0146 | 0,0116 | 0,0386 |
| 60 | Pt (Pa) | | | 2 | | | 1 | | | 2 | | | | | |
| | SPLA (dB (A)) | | | <20 | | | <20 | | | <20 | | | | | |
| 80 | Pt (Pa) | 1 | 2 | 6 | | 1 | 4 | | 1 | 3 | | | 2 | | |
| | SPLA (dB (A)) | <20 | <20 | <20 | | <20 | <20 | | <20 | <20 | | | <20 | | |
| 100 | Pt (Pa) | 2 | 6 | 12 | 1 | 2 | 6 | | 2 | 4 | | 1 | 4 | 1 | 2 |
| | SPLA (dB (A)) | <20 | <20 | <20 | <20 | <20 | <20 | | <20 | <20 | | <20 | <20 | <20 | <20 |
| 160 | Pt (Pa) | 11 | 17 | 39 | 2 | 4 | 16 | 2 | 4 | 9 | 2 | 6 | 17 | 2 | 3 |
| | SPLA (dB (A)) | <20 | <20 | <20 | <20 | <20 | <20 | <20 | <20 | <20 | <20 | <20 | <20 | <20 | <20 |
| 200 | Pt (Pa) | 19 | 28 | 65 | 5 | 7 | 27 | 4 | 6 | 14 | 6 | 9 | 26 | 3 | 4 |
| | SPLA (dB (A)) | <20 | <20 | 22 | <20 | <20 | <20 | <20 | <20 | <20 | <20 | <20 | <20 | <20 | <20 |
| 300 | Pt (Pa) | 44 | 61 | 149 | 12 | 17 | 63 | 7 | 9 | 29 | 15 | 22 | 59 | 5 | 7 |
| | SPLA (dB (A)) | 22 | 27 | 31 | <20 | <20 | <20 | <20 | <20 | <20 | <20 | <20 | 22 | <20 | <20 |
| 400 | Pt (Pa) | 78 | 105 | 303 | 21 | 29 | 120 | 12 | 15 | 49 | 29 | 41 | 112 | 8 | 12 |
| | SPLA (dB (A)) | 28 | 33 | 37 | <20 | 21 | 25 | <20 | <20 | <20 | 20 | 25 | 29 | <20 | <20 |
| 500 | Pt (Pa) | 123 | 171 | | 33 | 45 | 190 | 18 | 23 | 75 | 44 | 66 | 165 | 12 | 18 |
| | SPLA (dB (A)) | 33 | 38 | | 21 | 26 | 30 | <20 | <20 | 23 | 25 | 30 | 34 | <20 | <20 |
| 600 | Pt (Pa) | | | | 46 | 64 | | 25 | 32 | 120 | 66 | 99 | | 17 | 25 |
| | SPLA (dB (A)) | | | | 25 | 30 | | <20 | 23 | 27 | 29 | 34 | | <20 | 22 |
| 700 | Pt (Pa) | | | | 64 | 94 | | 34 | 44 | | 89 | | | 23 | 35 |
| | SPLA (dB (A)) | | | | 29 | 34 | | 21 | 26 | | 32 | | | 20 | 25 |
| 800 | Pt (Pa) | | | | | | | 45 | | | | | | | |
| | SPLA (dB (A)) | | | | | | | 24 | | | | | | | |
| 900 | Pt (Pa) | | | | | | | | | | | | | | |
| | SPLA (dB (A)) | | | | | | | | | | | | | | |
| 1000 | Pt (Pa) | | | | | | | | | | | | | | |
| | SPLA (dB (A)) | | | | | | | | | | | | | | |

| m ³ /h | dim (mm) | 1000 2 D | 1000 3 N | 1000 3 P | 1000 3 D | 1250 1 N | 1250 1 P | 1250 1 D | 1250 2 N | 1250 2 P | 1250 2 D | 1250 3 N | 1250 3 P | 1250 3 D |
|-------------------|----------------------|----------------|----------------|----------------|----------------|----------------|----------------|----------------|----------------|----------------|----------------|----------------|----------------|----------------|
| | Ak (m ²) | | 0,0232 | 0,0579 | 0,0437 | 0,0348 | 0,0243 | 0,0202 | 0,0146 | 0,0486 | 0,0404 | 0,0292 | 0,0729 | 0,0606 |
| 60 | Pt (Pa) | | | | | | | | | | | | | |
| | SPLA (dB (A)) | | | | | | | | | | | | | |
| 80 | Pt (Pa) | 1 | | | | | | | | | | | | |
| | SPLA (dB (A)) | <20 | | | | | | | | | | | | |
| 100 | Pt (Pa) | 3 | | 1 | 2 | | 1 | 3 | | | 1 | | | 2 |
| | SPLA (dB (A)) | <20 | | <20 | <20 | | <20 | <20 | | | <20 | | | <20 |
| 160 | Pt (Pa) | 7 | | 2 | 4 | 1 | 2 | 7 | | | 1 | 5 | | 3 |
| | SPLA (dB (A)) | <20 | | <20 | <20 | <20 | <20 | <20 | | | <20 | <20 | | <20 |
| 200 | Pt (Pa) | 12 | 2 | 3 | 6 | 2 | 4 | 15 | 1 | 2 | 8 | | | 4 |
| | SPLA (dB (A)) | <20 | <20 | <20 | <20 | <20 | <20 | <20 | <20 | <20 | <20 | | | <20 |
| 300 | Pt (Pa) | 25 | 3 | 5 | 12 | 7 | 13 | 35 | 2 | 4 | 17 | 2 | 2 | 8 |
| | SPLA (dB (A)) | <20 | <20 | <20 | <20 | <20 | <20 | <20 | <20 | <20 | <20 | <20 | <20 | <20 |
| 400 | Pt (Pa) | 43 | 5 | 8 | 20 | 15 | 25 | 65 | 3 | 7 | 29 | 3 | 3 | 15 |
| | SPLA (dB (A)) | <20 | <20 | <20 | <20 | <20 | <20 | 25 | <20 | <20 | <20 | <20 | <20 | <20 |
| 500 | Pt (Pa) | 67 | 7 | 11 | 31 | 25 | 40 | 100 | 5 | 11 | 46 | 4 | 5 | 23 |
| | SPLA (dB (A)) | 22 | <20 | <20 | <20 | 21 | 24 | 30 | <20 | <20 | <20 | <20 | <20 | <20 |
| 600 | Pt (Pa) | 99 | 10 | 14 | 45 | | | | 9 | 18 | 65 | 5 | 7 | 32 |
| | SPLA (dB (A)) | 25 | <20 | <20 | <20 | | | | <20 | <20 | 21 | <20 | <20 | <20 |
| 700 | Pt (Pa) | 153 | 14 | 18 | 59 | | | | 15 | 29 | 89 | 7 | 9 | 42 |
| | SPLA (dB (A)) | 29 | <20 | <20 | 22 | | | | <20 | <20 | 25 | <20 | <20 | <20 |
| 800 | Pt (Pa) | | 19 | 23 | 75 | | | | | | | 9 | 12 | 54 |
| | SPLA (dB (A)) | | <20 | 21 | 25 | | | | | | | <20 | <20 | 21 |
| 900 | Pt (Pa) | | 26 | 33 | | | | | | | | 12 | 15 | 67 |
| | SPLA (dB (A)) | | <20 | 23 | | | | | | | | <20 | <20 | 23 |
| 1000 | Pt (Pa) | | 33 | 42 | | | | | | | | 16 | 20 | 82 |
| | SPLA (dB (A)) | | 21 | 26 | | | | | | | | <20 | <20 | 26 |

D - with deflector P - perforated deflector N - no deflector

PLINE 1/20

PERFORMANCE



1 AMOUNT OF SLOTS 20 mm WIDTH OF SLOT

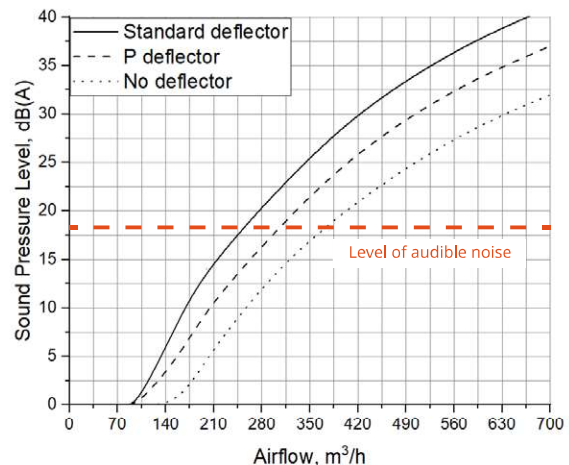
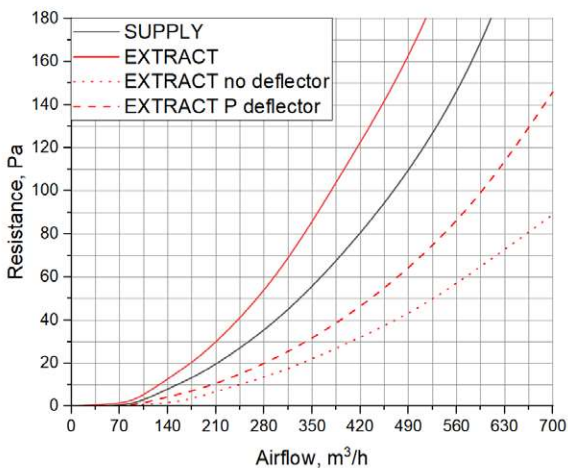
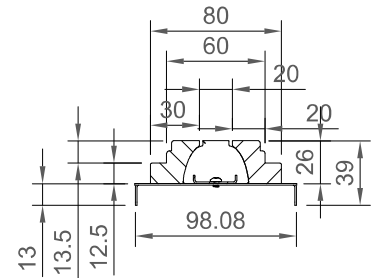
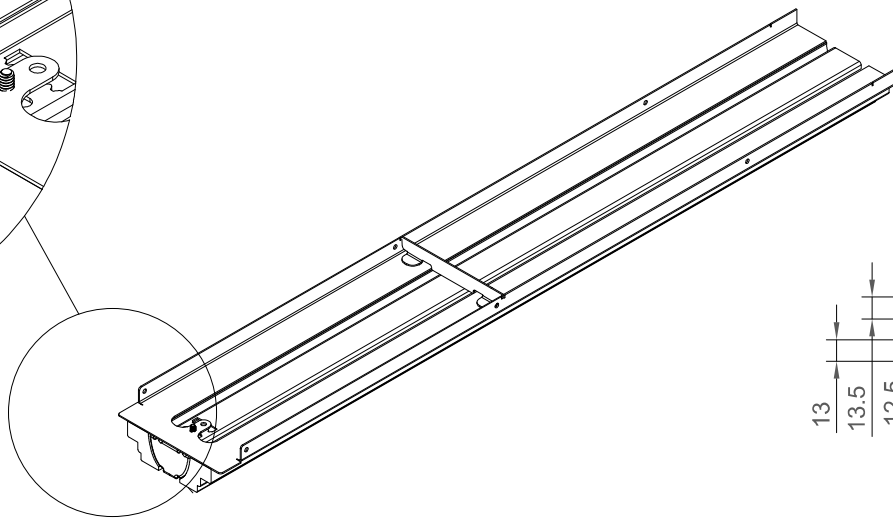
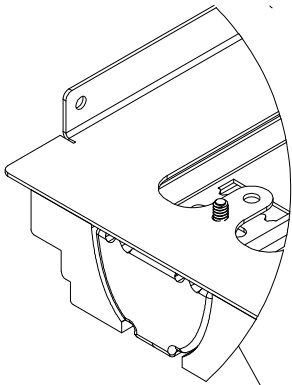
2,45 kg
1 M. LENGTH DIFFUSER WEIGHT
WITHOUT PACKAGING (NET)

625 / 1000 / 1250
STANDARD SLOT LENGTH (MM)

DEFLECTOR OPTIONS:

Standart / Perforated
/ No deflector

A PLENUM BOX
WIDTH TYPE



Note: Data charts reflect measurements for the 1 m length model.

PLINE 2/20

PERFORMANCE



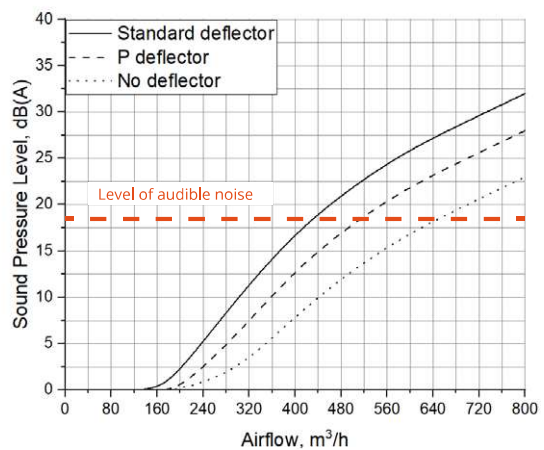
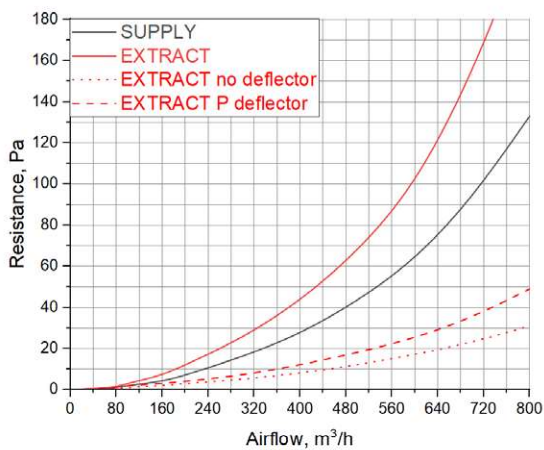
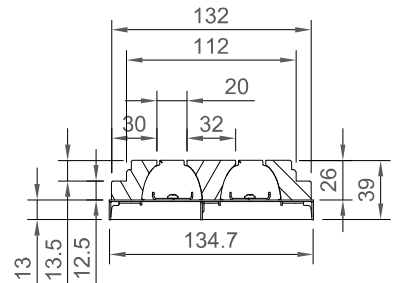
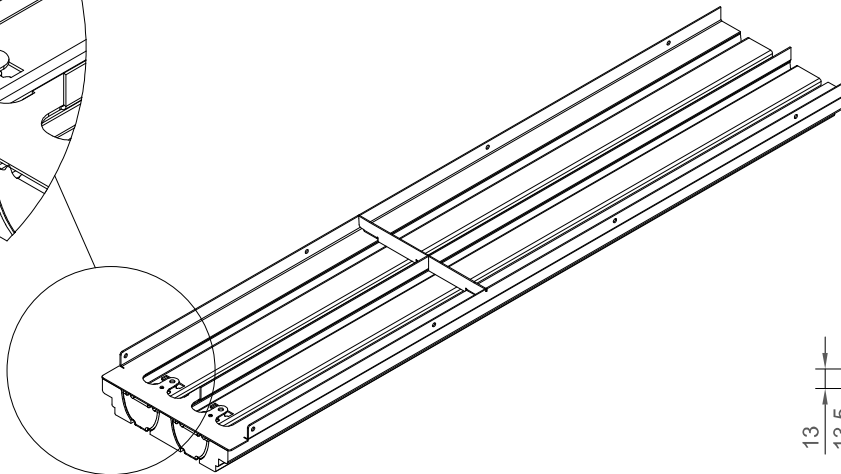
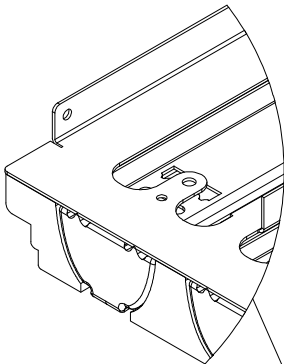
2 AMOUNT OF SLOTS 20 mm WIDTH OF SLOT

3,6 kg
1 M. LENGTH DIFFUSER WEIGHT
WITHOUT PACKAGING (NET)

625 / 1000 / 1250
STANDARD SLOT LENGTH (MM)

DEFLECTOR OPTIONS:
Standart / Perforated
/ No deflector

B PLENUM BOX
WIDTH TYPE



Note: Data charts reflect measurements for the 1 m length model.

PLINE 3/20

PERFORMANCE



3
AMOUNT OF SLOTS

20 mm
WIDTH OF SLOT

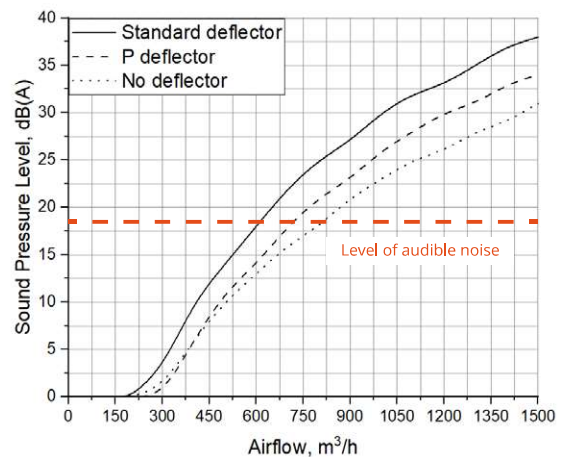
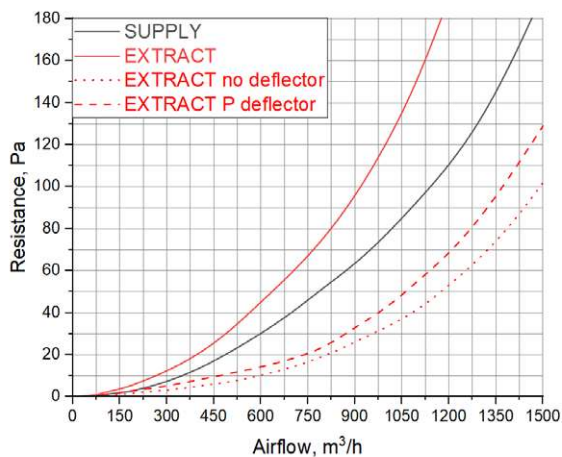
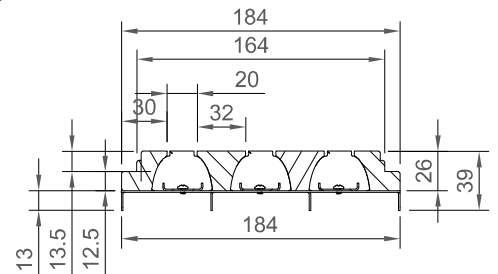
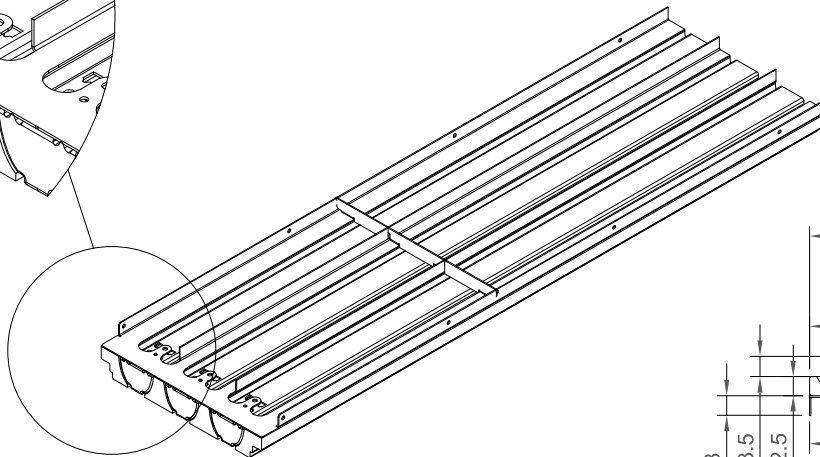
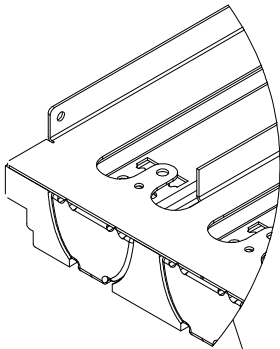
5 kg
1 M. LENGTH DIFFUSER WEIGHT
WITHOUT PACKAGING (NET)

625 / 1000 / 1250
STANDARD SLOT LENGTH (MM)

DEFLECTOR OPTIONS:

Standart / Perforated
/ No deflector

C PLENUM BOX
WIDTH TYPE



Note: Data charts reflect measurements for the 1 m length model.

PERFORMANCE LINE ACCESSORIES

DEFLECTOR OPTIONS & AIR SUPPLY AFFECT



With Deflector

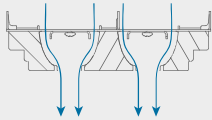


With perforated Deflector

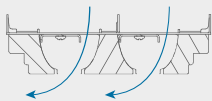


No Deflector

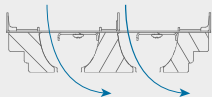
In center position



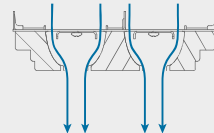
Deflector in left



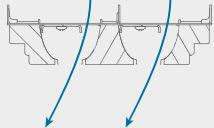
Deflector in right



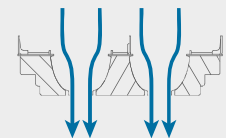
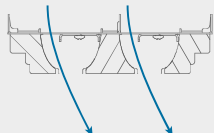
In center position



Deflector in left



Deflector in right



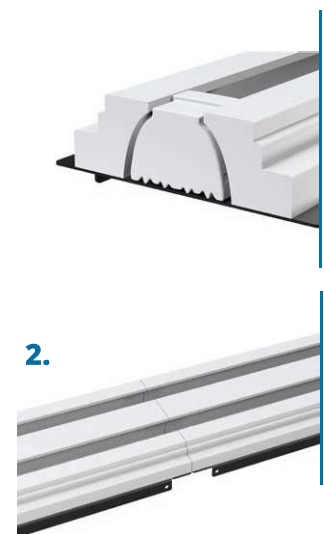
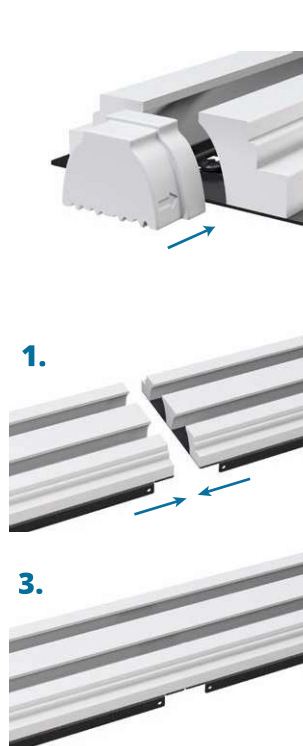
PERFORMANCE LINE FLEXIBILITY

CORRECT END CAP INSTALLATION

The indented arrow shows the correct side how the end cap should be inserted.

WHEN INSTALLING ONE CONTINUOUS LINE

1. The end caps are not used.
2. Two diffusers are installed to each other with a small invisible gap which is then filled with plaster.
3. After plastering and sanding you have one continuous line.



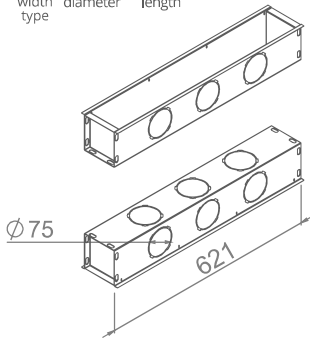
PLENUM BOXES FOR LINE / PLINE DIFFUSERS



GOOD TO GO

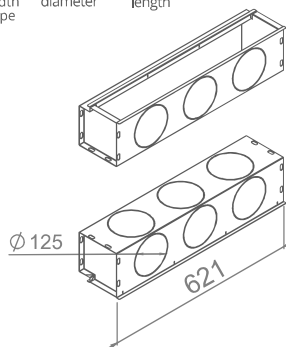
Order code:
GTG A 75 625

Box width type Hole diameter Box length



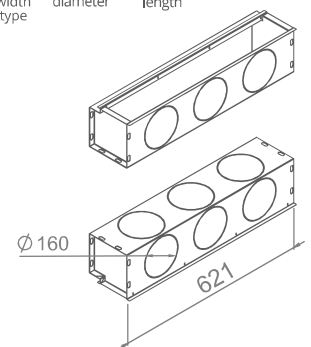
Order code:
GTG A 125 625

Box width type Hole diameter Box length



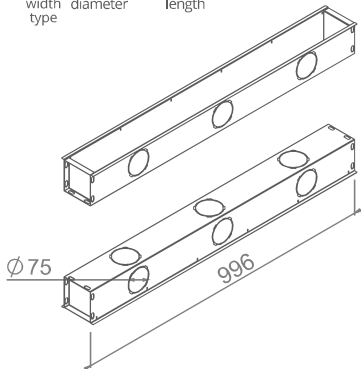
Order code:
GTG A 160 625

Box width type Hole diameter Box length



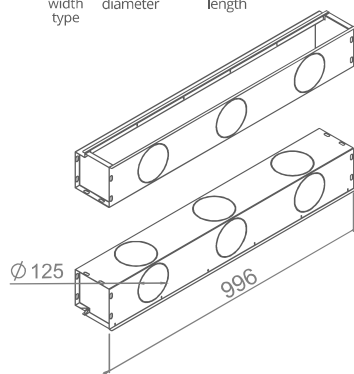
Order code:
GTG A 75 1000

Box width type Hole diameter Box length



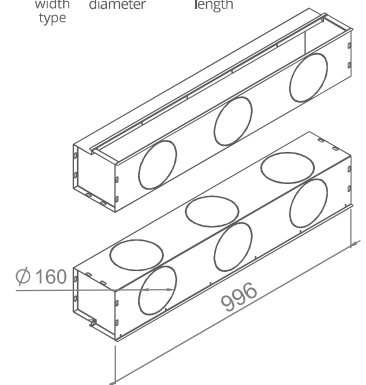
Order code:
GTG A 125 1000

Box width type Hole diameter Box length



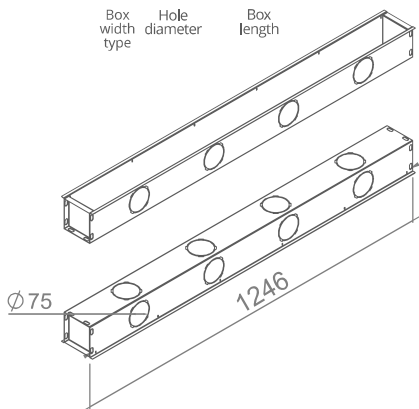
Order code:
GTG A 160 1000

Box width type Hole diameter Box length



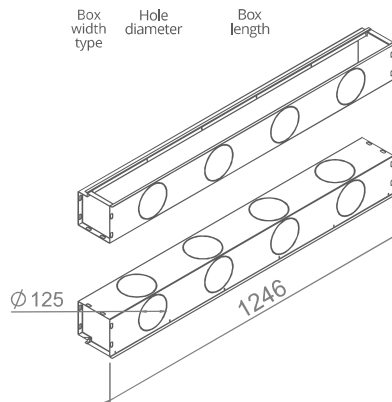
Order code:
GTG A 75 1250

Box width type Hole diameter Box length



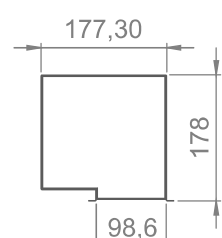
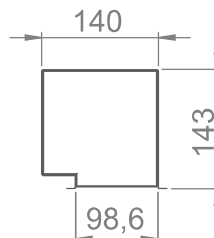
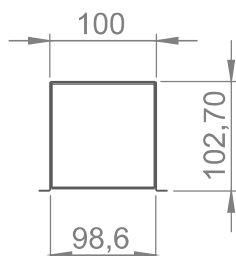
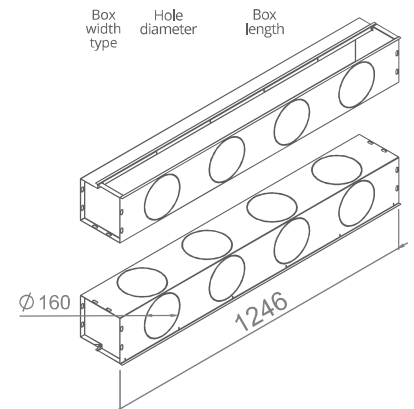
Order code:
GTG A 125 1250

Box width type Hole diameter Box length



Order code:
GTG A 160 1250

Box width type Hole diameter Box length

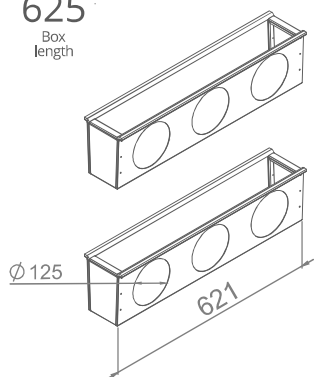


**SUITABLE FOR LINE AND LINE PERFORMANCE DIFFUSERS:
1/12, 1/18, 2/12, 2/18, 1/20 P**

"V" SHAPE INSULATED

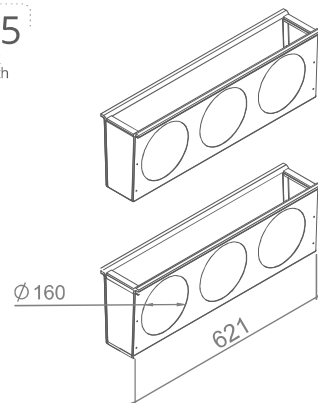
Order code:
VTBOX A 125 625

Box width type
Hole diameter
Box length



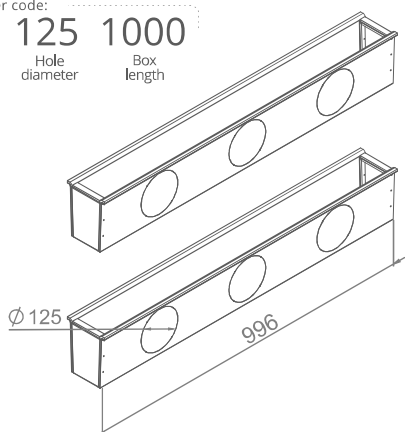
Order code:
VTBOX A 160 625

Box width type
Hole diameter
Box length



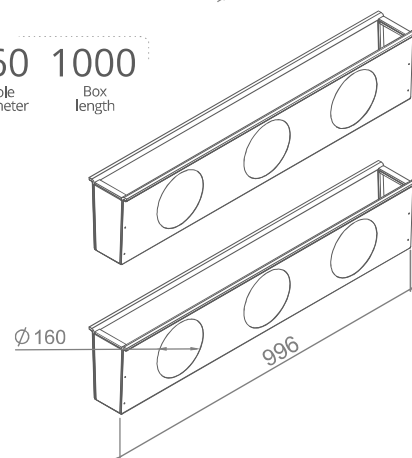
Order code:
VTBOX A 125 1000

Box width type
Hole diameter
Box length



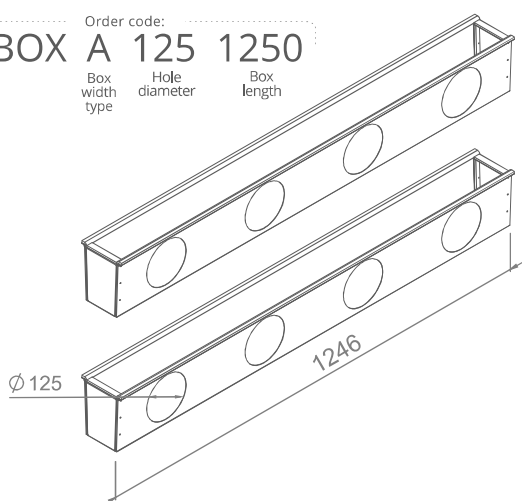
Order code:
VTBOX A 160 1000

Box width type
Hole diameter
Box length



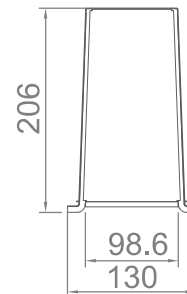
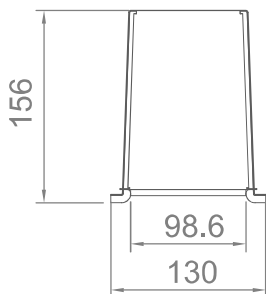
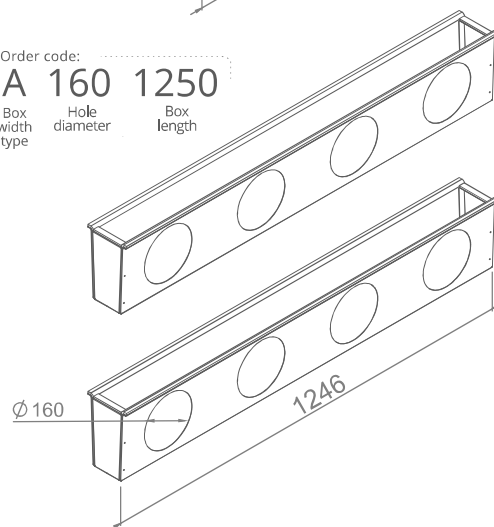
Order code:
VTBOX A 125 1250

Box width type
Hole diameter
Box length



Order code:
VTBOX A 160 1250

Box width type
Hole diameter
Box length

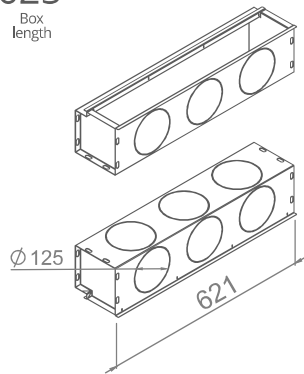


PLENUM BOXES FOR LINE / PLINE DIFFUSERS

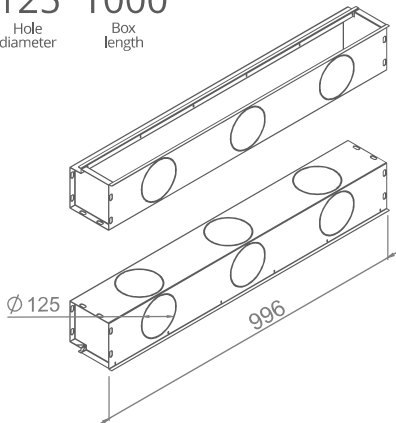
B PLENUM BOX WIDTH TYPE

GOOD TO GO

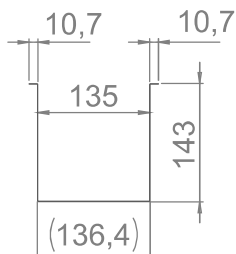
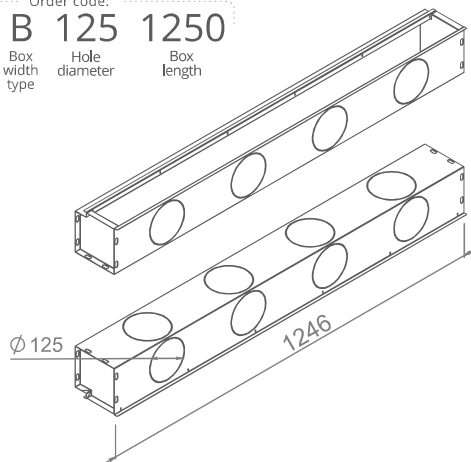
Order code:
GTG B 125 625
Box width type Hole diameter Box length



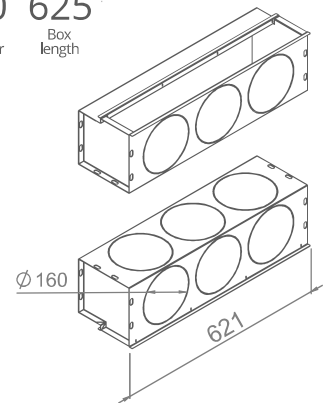
Order code:
GTG B 125 1000
Box width type Hole diameter Box length



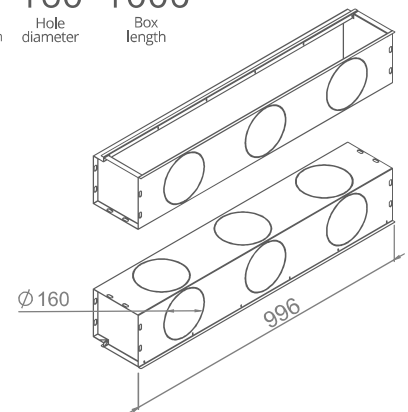
Order code:
GTG B 125 1250
Box width type Hole diameter Box length



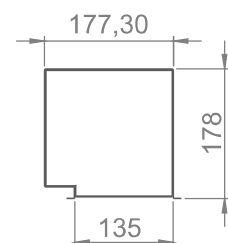
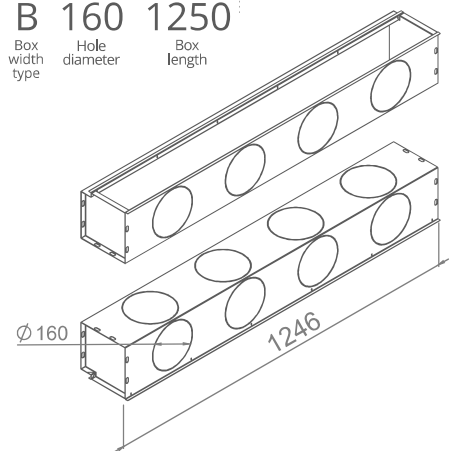
Order code:
GTG B 160 625
Box width type Hole diameter Box length



Order code:
GTG B 160 1000
Box width type Hole diameter Box length



Order code:
GTG B 160 1250
Box width type Hole diameter Box length

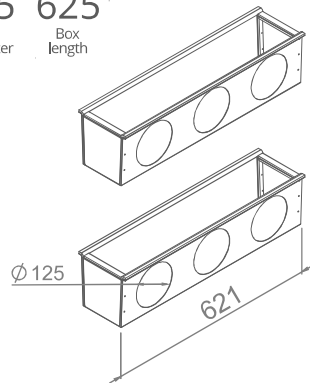


**SUITABLE FOR LINE AND LINE PERFORMANCE DIFFUSERS:
3/12, 3/18, 2/20 P**

"V" SHAPE INSULATED

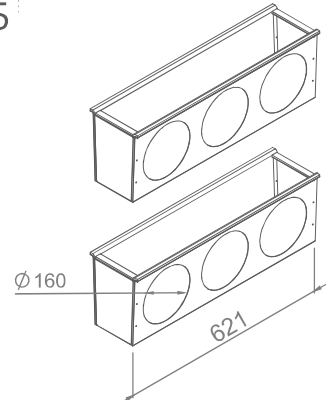
Order code:
VTBOX B 125 625

Box width type
Hole diameter
Box length



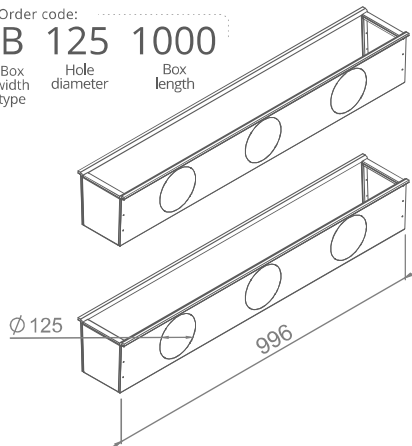
Order code:
VTBOX B 160 625

Box width type
Hole diameter
Box length



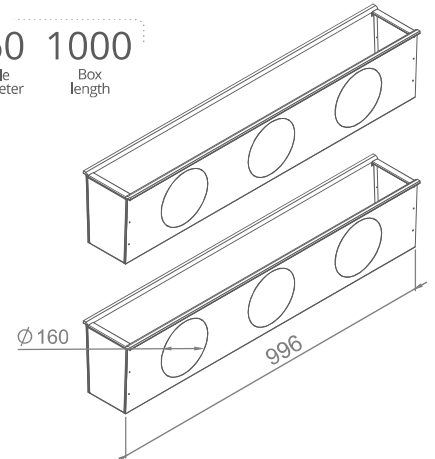
Order code:
VTBOX B 125 1000

Box width type
Hole diameter
Box length



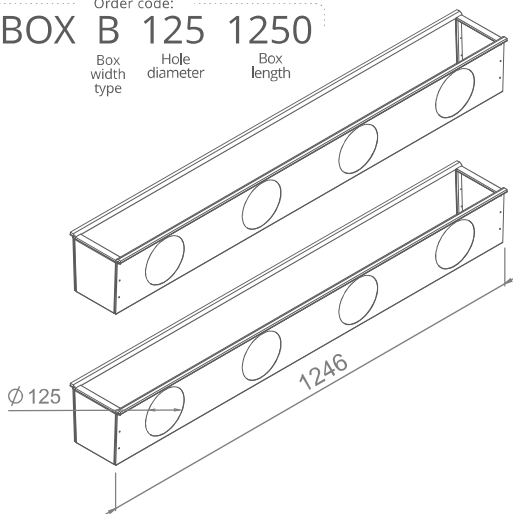
Order code:
VTBOX B 160 1000

Box width type
Hole diameter
Box length



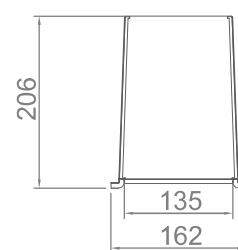
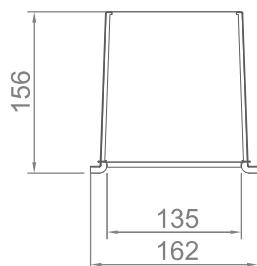
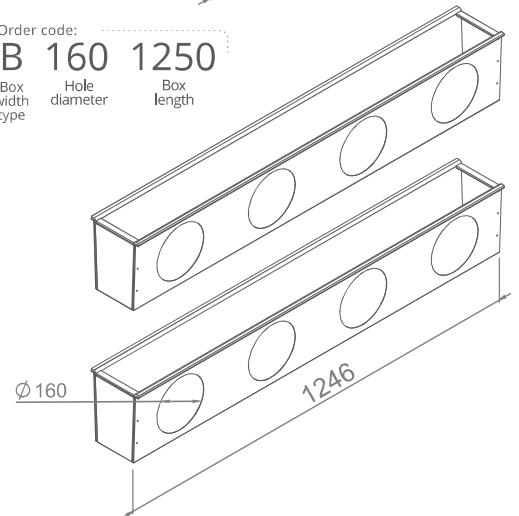
Order code:
VTBOX B 125 1250

Box width type
Hole diameter
Box length



Order code:
VTBOX B 160 1250

Box width type
Hole diameter
Box length



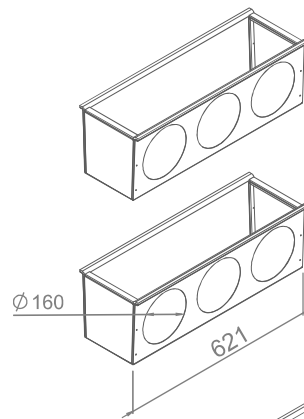
PLENUM BOXES FOR LINE / PLINE DIFFUSERS

C PLENUM BOX
WIDTH TYPE

"V" SHAPE INSULATED

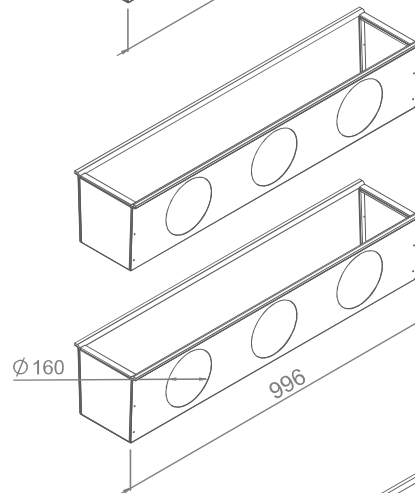
Order code:
VTBOX C 160 625

Box width type Hole diameter Box length



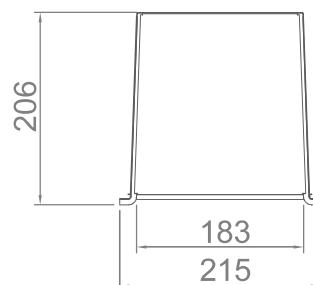
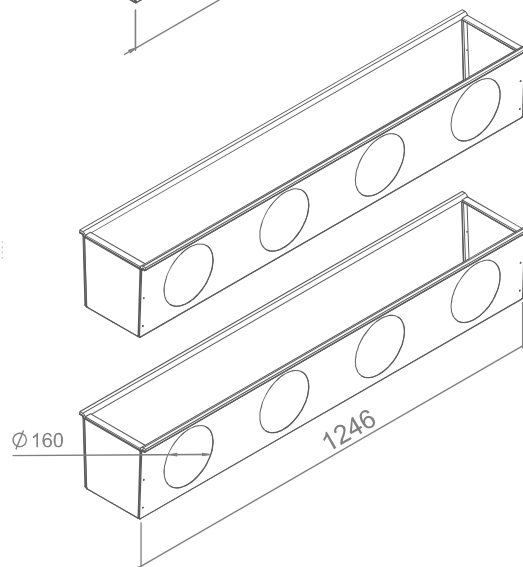
Order code:
VTBOX C 160 1000

Box width type Hole diameter Box length



Order code:
VTBOX C 160 1250

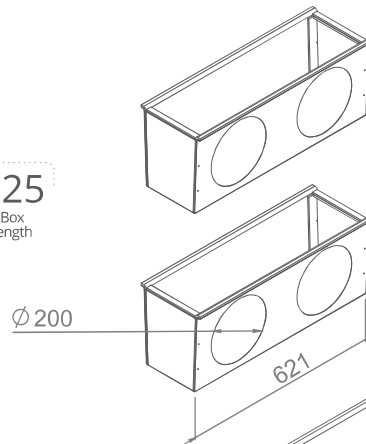
Box width type Hole diameter Box length



SUITABLE FOR LINE AND LINE PERFORMANCE DIFFUSERS: 3/20 P

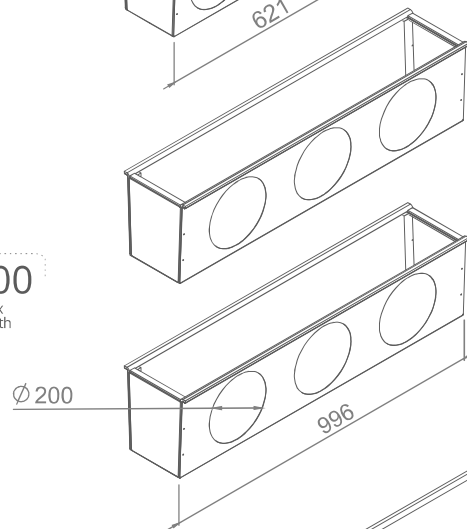
Order code:
VTBOX C 200 625

| | | |
|----------------------|------------------|---------------|
| Box width type | Hole diameter | Box length |
|----------------------|------------------|---------------|



Order code:
VTBOX C 200 1000

| | | |
|----------------------|------------------|---------------|
| Box width type | Hole diameter | Box length |
|----------------------|------------------|---------------|



Order code:
VTBOX C 200 1250

| | | |
|----------------------|------------------|---------------|
| Box width type | Hole diameter | Box length |
|----------------------|------------------|---------------|

